

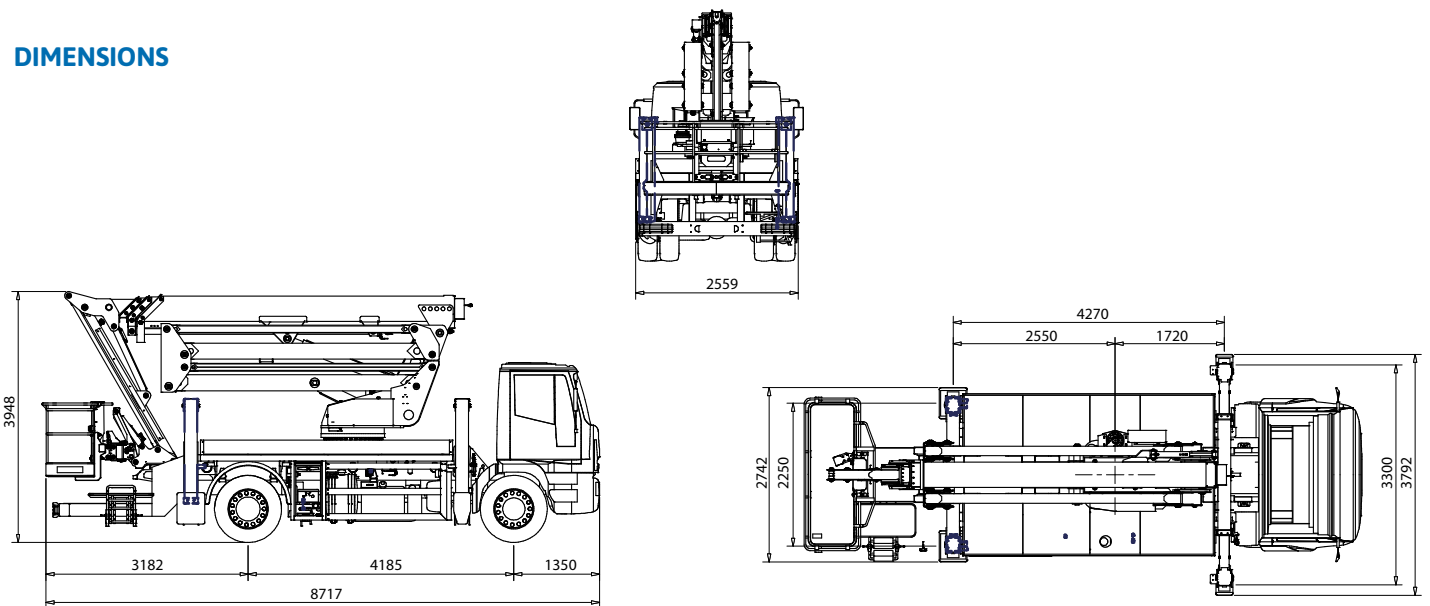
SPECIFICATION

CTEZED 32 JHV IVECO ML 180

TECHNICAL DATA

- Double pantograph + telescopic boom with 3 extensions + jib
- Sigma boom movement enabled by connecting rods
- $\pm 180^\circ$ turret rotation
- Smooth proportional controls with acceleration and deceleration ramps
- 2 Simultaneous proportional, electrohydraulic controls from basket and ground
- Engine start and stop controls from basket and ground
- Automatic engine rpm management
- Anti-slip aluminium flatbed decking
- Basket in aluminium 2200x700x1100 mm
- $90^\circ + 90^\circ$ hydraulic basket rotation
- Automatic basket levelling
- 4 hydraulic outriggers with ground pressure sensors
- Variable jacking managed by **S³ Smart Stability System**
- **CAN BUS** electronic management system
- Ground control station with wired console
- Load cell managed basket capacity
- Diagnostic tool
- Display in the basket with working envelope related info
- Hydraulic system operated by vehicle's PTO
- Buzzer indicating PTO engaged
- Hour meter
- 230 V AC in the basket
- EN 280:2013 CE certified
- Standard boom colours blue (RAL 5017) and white (RAL 9003)

DIMENSIONS



SPECIFICATION

CTEZED 32 JHV IVECO ML 180



31,6 m



15,3 / 19,8 m*



280 kg



29,6 m

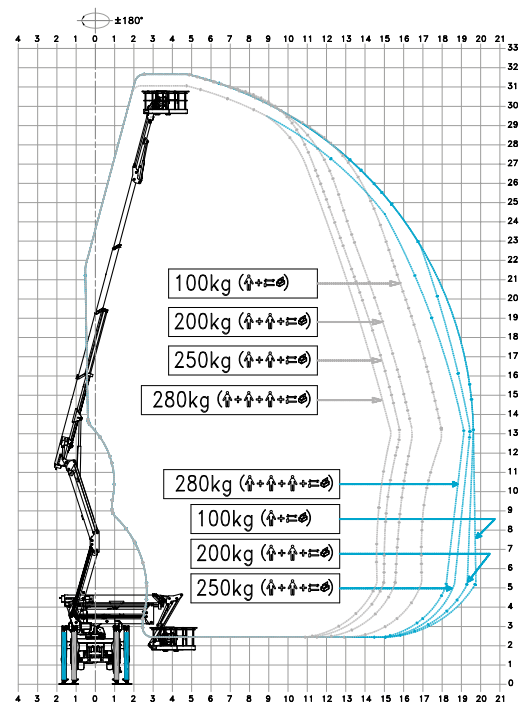
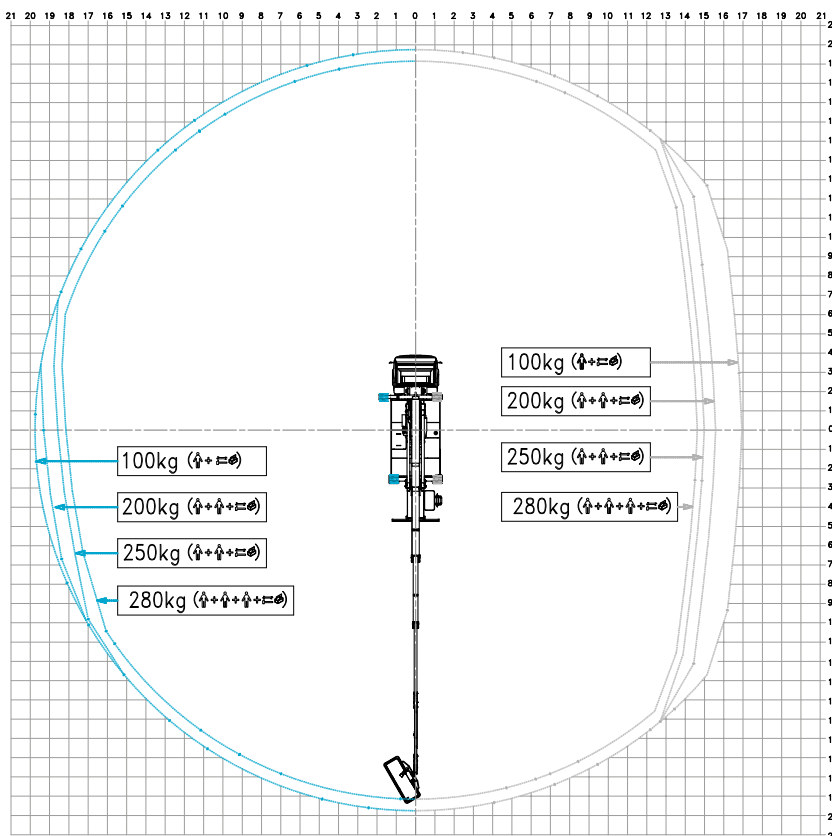


2200x700x1100 mm



GVW min 18 t

WORKING ENVELOPE



* outreach and height max values and repeatability can change within $\pm 3\%$ due to manufacturing variation and working condition.