

# SPECIFICATION

# CTEZED 23.3 JH



22,6 m\*



7 / 10 m\*

## WORKING ENVELOPE



230 kg



20,6 m



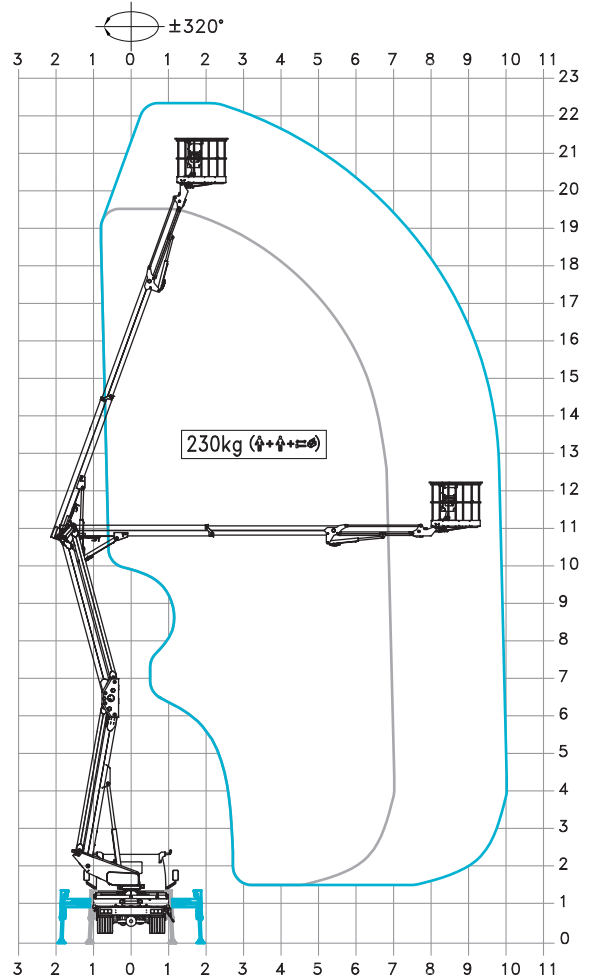
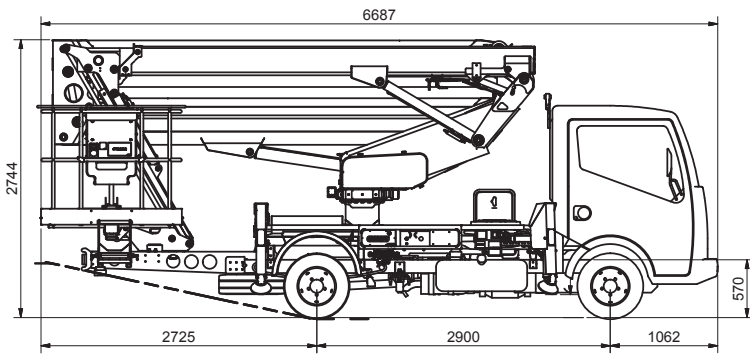
1400x700x1100 mm

**GVW min**

3,5 t

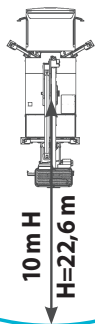
\* outreach and height max values and repeatability can change within  $\pm 3\%$  due to manufacturing variation and working condition.

## DIMENSIONS

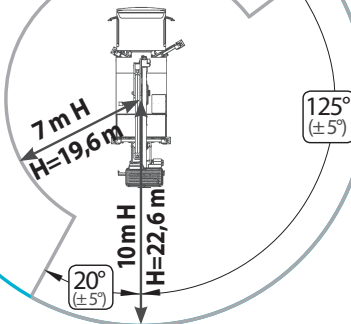


## OUTRIGGER FOOTPRINT

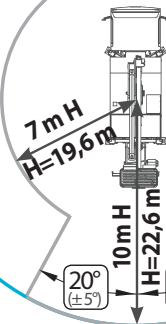
Fully extended jacking



Left or right jacking



Narrow jacking



**CTE S.p.A.**

Headquarter 7 Via Caproni - Rovereto (TN) IT, 38068

Ph. +39 0464 48.50.50 - Fax +39 0464 48.50.99

info@ctelift.com - [www.ctelift.com](http://www.ctelift.com)

Factory 5 Loc. Terramatta - Rivoli Veronese (VR) IT, 37010

CTE UK Ltd Enderby Leicestershire - UK

Product specifications are subject to change without notice or obligation. Technical features and drawings in this brochure are for illustrative purposes only. \_ZED 23.3 JH - ed. 09/18

