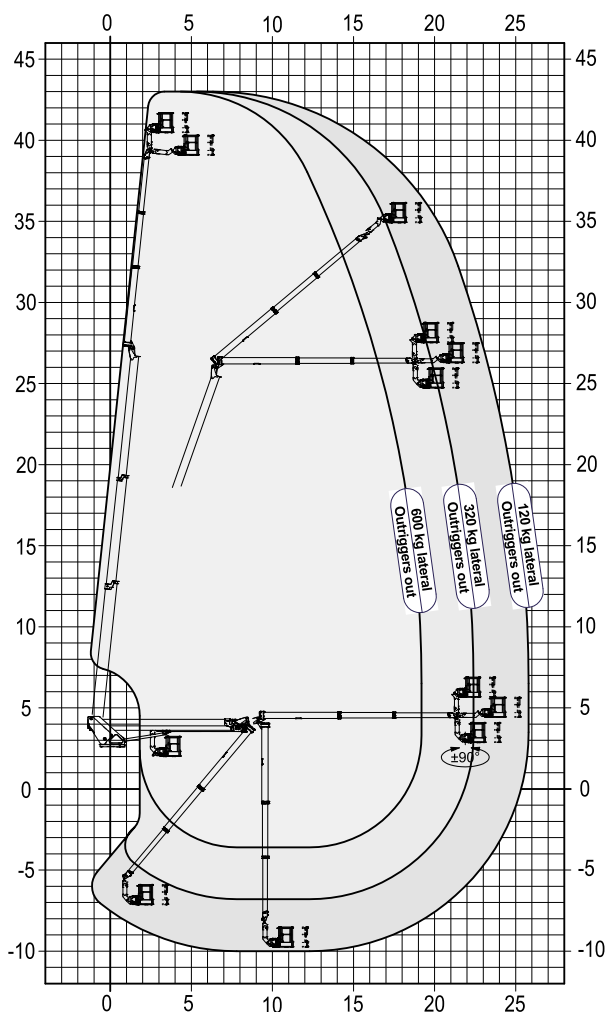


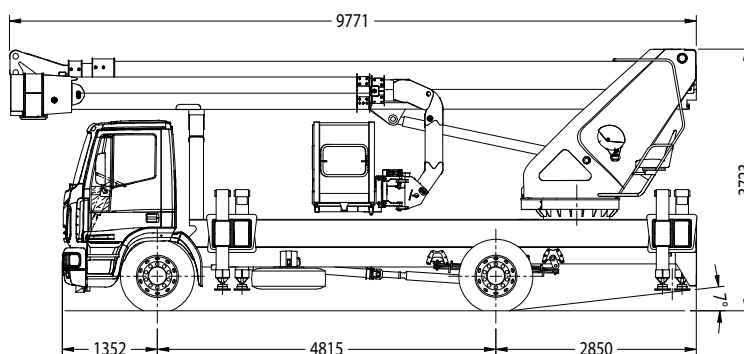
# SPECIFICATION

# B-LIFT 430 HR

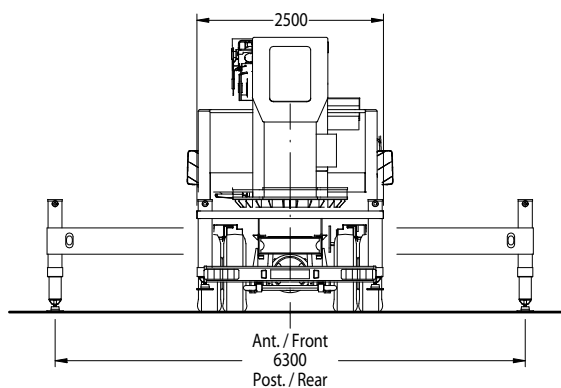
## WORKING ENVELOPE









## DIMENSIONS



## OUTRIGGER FOOTPRINT



	43 m*		19,2/22,4/25,8 m*
	120/320/600 kg		41 m
	2400/3600 x900x1100 mm		18 t

It's available a version on 26 t with 30 m maximum working outreach  
\* outreach and height max values and repeatability can change  
within  $\pm 3\%$  due to manufacturing variation and working condition.

Product specifications are subject to change without notice or obligation. Technical features and drawings in this brochure are for illustrative purposes only. \_B-LIFT 430 HR - ed. 04/16



**CTE S.p.A.**  
**Headquarter and Factory**  
 7 Via Caproni - Rovereto (TN) IT, 38068  
 Ph. +39 0464 48.50.50 - Fax +39 0464 48.50.99  
 info@ctelift.com - [www.ctelift.com](http://www.ctelift.com)  
**Factory** 5 Loc. Terramatta - Rivoli Veronese (VR) IT, 37010  
**CTE UK Ltd** Enderby Leicestershire - UK

