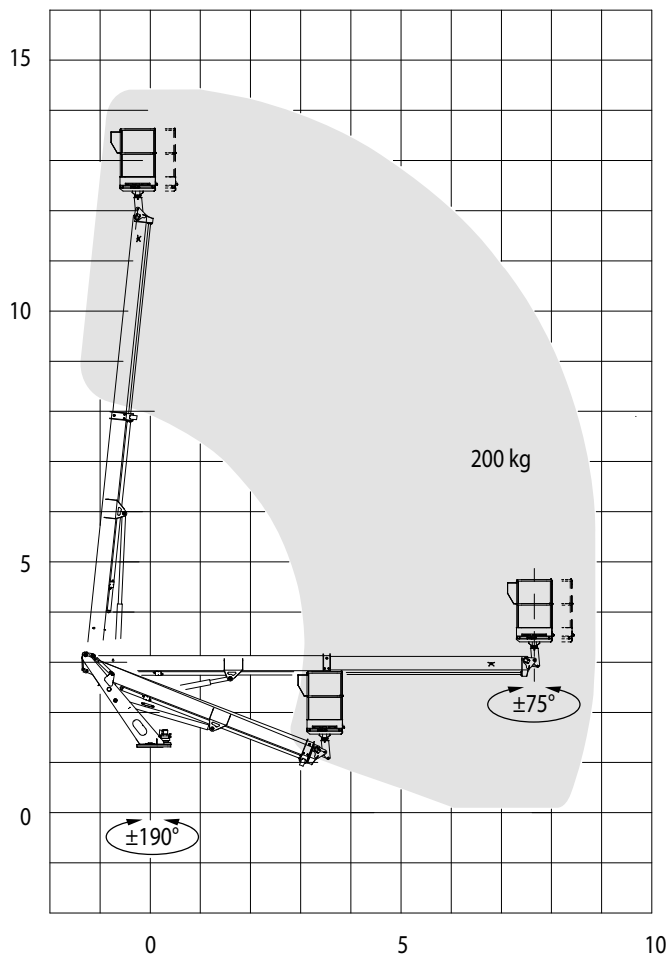


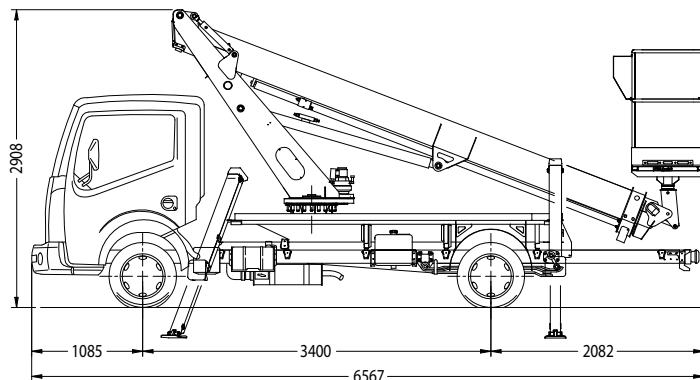
SPECIFICATION

B-LIFT 150 PRO

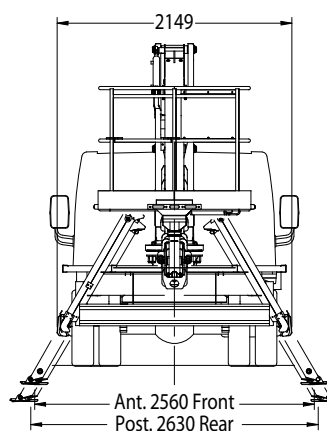
WORKING ENVELOPE



DIMENSIONS



OUTRIGGER FOOTPRINT



14,6 m*



8,9 m*



200 kg



12,6 m



1400x700x1100 mm



GVW min 3,5 t

It's available version with 250 kg basket capacity.

The EASY KIT version is available for assembly on trucks with a g.v.w. of more than 3,5 ton, outside the CE countries.

* outreach and height max values and repeatability can change within $\pm 3\%$ due to manufacturing variation and working condition.