

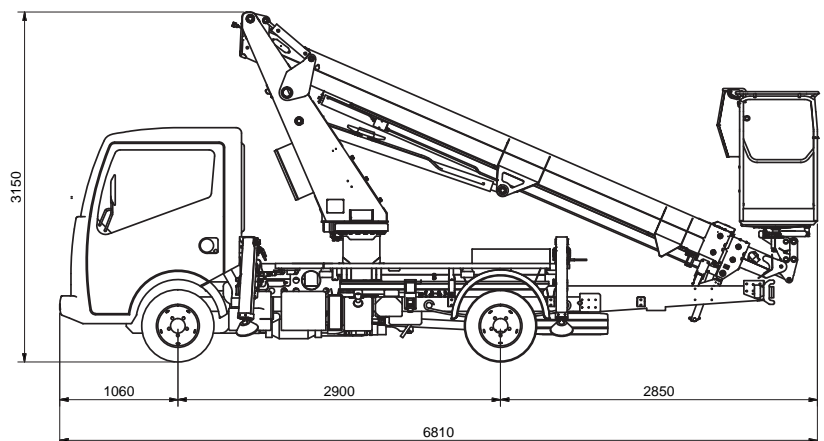
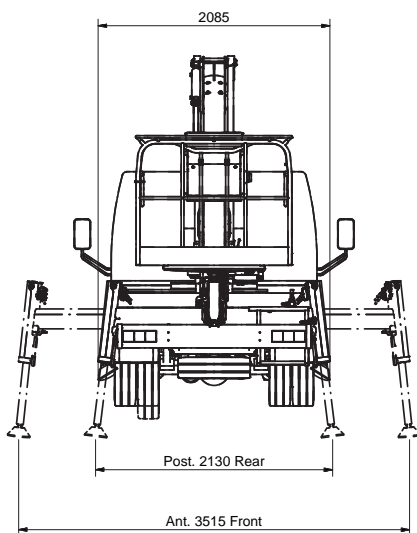
# SPECIFICATION (PRELIMINARY)

# B-LIFT 18

## TECHNICAL DATA

- Telescopic boom  
(3 elements: main boom + 2 telescopic extension)
- 540° Turret rotation
- Smooth proportional controls  
with acceleration and deceleration ramps
- Engine start/stop control from the basket and the ground
- Automatic engine rpm management
- Anti-slip aluminum deck
- Aluminum basket 1400x700x1100 mm
- 90° + 90° hydraulic basket rotation
- Automatic basket levelling system
- 4 stabilisers with ground pressure sensors: front variable jacking outriggers and rear straight down stabilizers
- Variable jacking system with **S<sup>3</sup> Smart Stability System**
- **CAN BUS** electronic management system
- Ground control station with 7m cable wired console
- Diagnostic display on board
- Hydraulic system operated by vehicle's PTO
- Buzzer indicating PTO engaged
- Hour meter
- 230 V AC plug in the basket
- EN 280:2015 CE certified
- Standard boom colours  
blue (RAL 5017) and white (RAL 9003)

## DIMENSIONS



**CTE S.p.A.**  
**Headquarter**

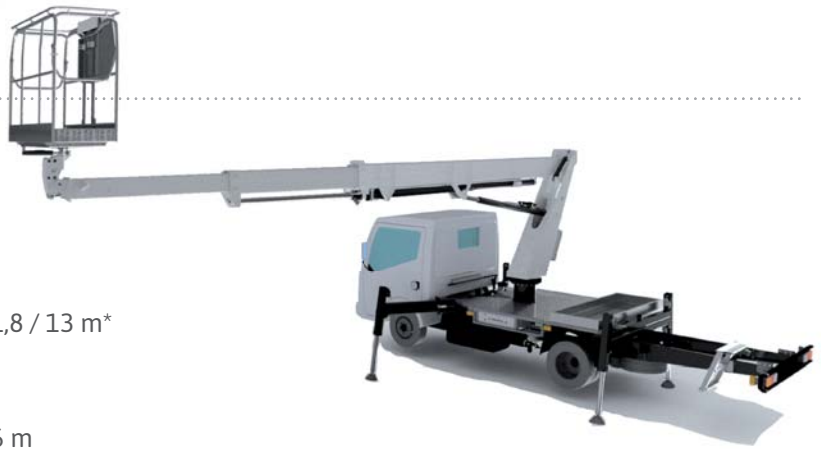
7 Via Caproni - Rovereto (TN) IT, 38068  
Ph. +39 0464 48.50.50 - Fax +39 0464 48.50.99  
info@ctelift.com - [www.ctelift.com](http://www.ctelift.com)

**Factory** 5 Loc. Terramatta - Rivoli Veronese (VR) IT, 37010

**CTE UK Ltd** Enderby Leicestershire - UK

# SPECIFICATION (PRELIMINARY)

# B-LIFT 18



18 m\*



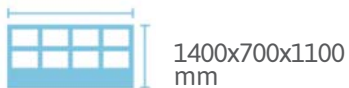
11,8 / 13 m\*



120 / 300 kg



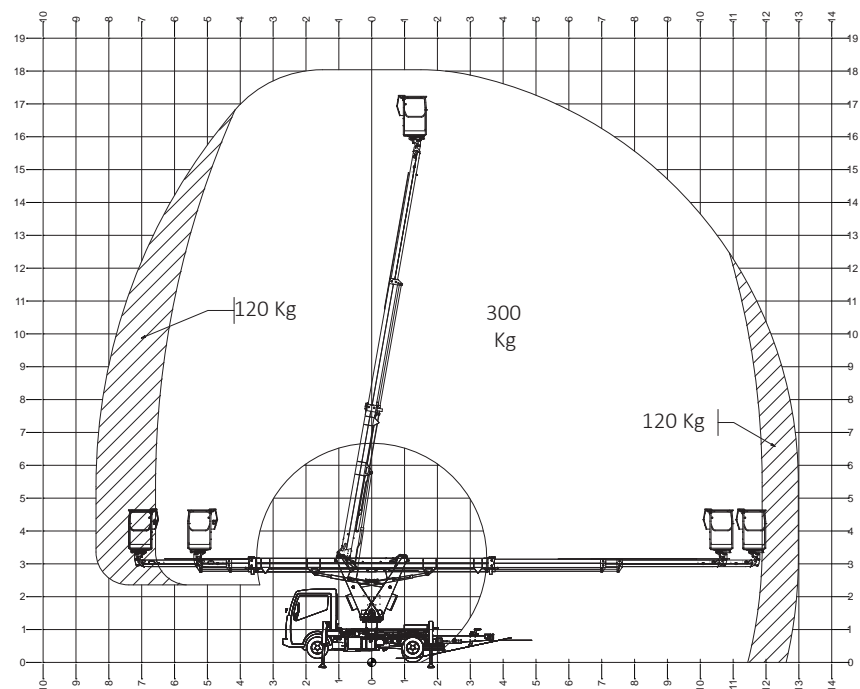
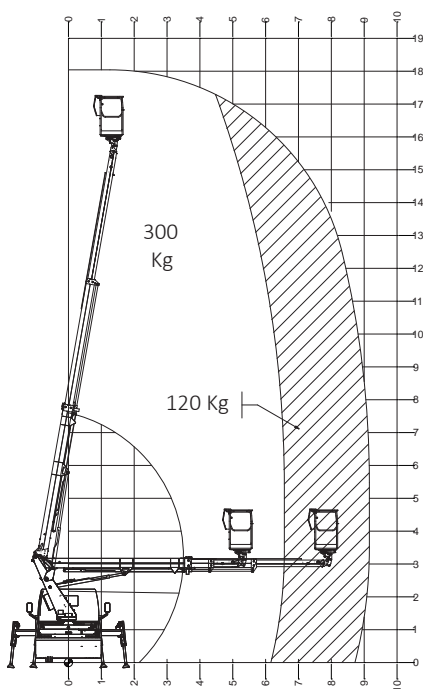
16 m



1400x700x1100 mm

**GVW min** 3,5 t

## WORKING ENVELOPE



\* outreach and height max values and repeatability can change within  $\pm 3\%$  due to manufacturing variation and working condition.



**CTE S.p.A.**  
**Headquarter**  
 7 Via Caproni - Rovereto (TN) IT, 38068  
 Ph. +39 0464 48.50.50 - Fax +39 0464 48.50.99  
 info@ctelift.com - [www.ctelift.com](http://www.ctelift.com)  
**Factory** 5 Loc. Terramatta - Rivoli Veronese (VR) IT, 37010  
**CTE UK Ltd** Enderby Leicestershire - UK

Product specifications are subject to change without notice or obligation. Technical features and drawings in this brochure are for illustrative purposes only. \_B-LIFT 18 - ed. 04/17

