



MYGALE 23

Track-Mounted Boom

Built for Rental

▲ STANDARD EQUIPMENT

- Non-marking rubber tracks
- Automatic leveling of 4 stabilisers
- Individual stabiliser levelling
- Non-continuous 351° turret rotation
- 180° platform rotation
- 133° jib angle tilt
- 230kg load capacity
- 32% gradeability
- 2 drive speeds
- 1° Tilt on stabilisers
- Power supply 220V, bi-energy
- Tilt indicator with alarm
- Load sensor
- Hour meter
- Horn
- On-board diagnostic colour LCD console
- Sling rings

MAIN FEATURES

Working height.....22,85 m / 74,96 ft

Horizontal outreach.....11 m / 36,08 ft

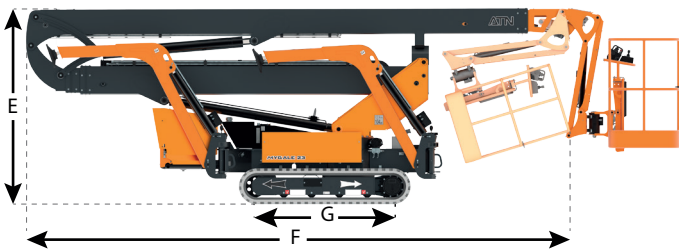
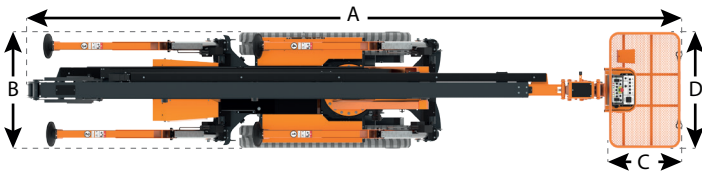
Knuckle height.....11,25 m / 36,90 ft

Ascent speed 1'30 - descent 2'10

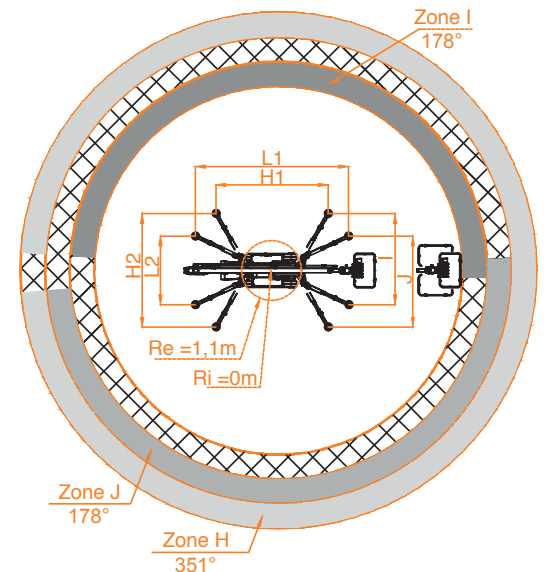
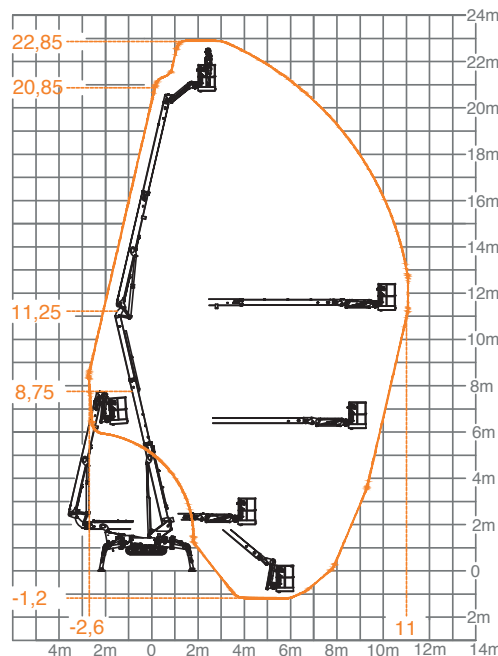
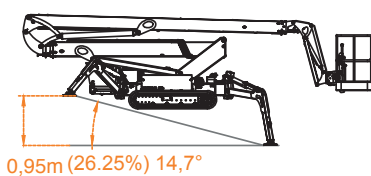
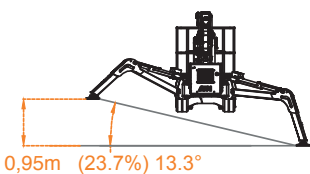
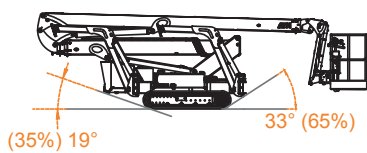
Bi-energy

★ ACCESSORIES & OPTIONS

- Anti-crushing system (ACS)
- 220V plug on the platform
- Compressed air platform inlet
- Flashing beacon
- Geolocalisation box
- Motion alarm
- Customer colours paint



This product complies with European regulations in force (EN 280).
Due to our constant improvement policy, ATN reserves the right to many
any modifications without any prior notice.



Working height	22,85 m / 74,96 ft
Floor height	20,85 m / 68,40 ft
Horizontal outreach	11 m / 36,08 ft
Knuckle height	11,25 m / 36,90 ft
Load capacity	230 kg / 507 lbs
A Length	6,68 m / 21,91 ft
B Width	1,19 m / 3,90 ft
C Platform length	0,73 m / 2,39 ft
D Platform width	1,19 m / 3,90 ft
E Height	1,99 m / 6,52 ft
F Length (transport position)	5,55m / 18,20 ft
G Wheelbase	1,42 m / 4,65 ft
Turret rotation	351° NC
Platform rotation	180°
jib tilt angle	133°
Admissible wind speed	<45 km/h / <27,96 mph
Drive speed	1,5 km/h
Gradeability	32%
maximum slope possible on stabilisers	13,3° // 14,7°
Wide stabilisation footprint (H1xH2)	3,92x3,97 m / 12,86x13,02 ft
Stabilisation footprint wide and narrow (L1xL)	5,36x3,18 m / 17,58x10,43 ft
Narrow stabilisation footprint (L1xL2)	5,36x2,40 m / 17,58x 7,87 ft
Total weight	3450 kg / 7605 lbs
Ground pressure on tracks	65 kN/m ²
Ground pressure on stabilisers	154 kN/m ²
Track width	0,23 m / 0,75 ft
Diesel engine	KUBOTA
Fuel tank capacity	25 L
Emergency unit	12V DC

Ri : Inside turning radius
Re : Outside turning radius