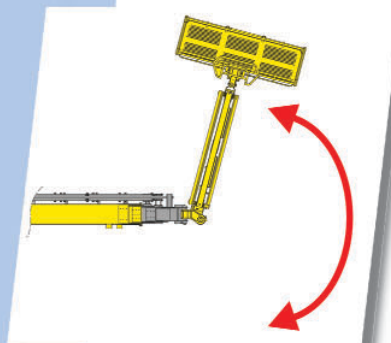
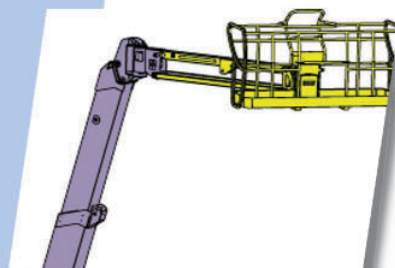


DOCUMENT PRELIMINAIRE



## H 43 TPX



- Continuous outreach control
- Max 65ft 7in (20 m) horizontal outreach.
- 4 wheel drive and steer.
- Extending and oscillating axles.



# H 43 TPX

# Telescopic booms

## The Haulotte® advantages

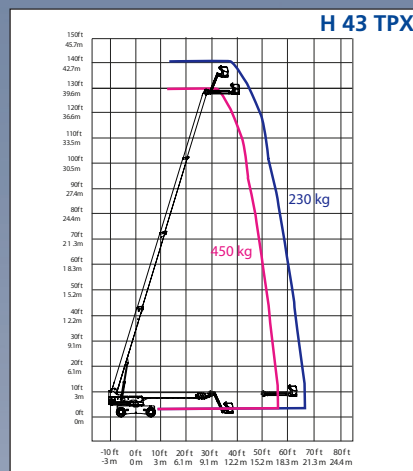
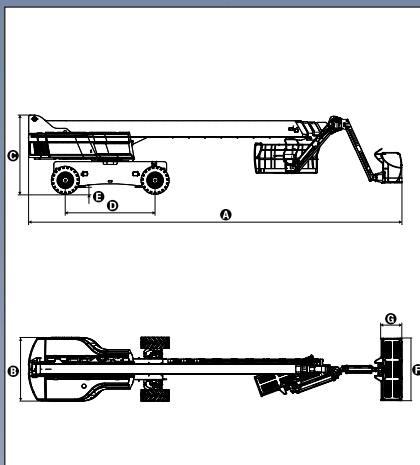
- Max 65ft 7in (20 m) horizontal outreach.
- Gradeability up to 40%.
- Hydraulic differential lock and 15 in (38 cm) ground clearance for improved rough terrain.
- Continuous 360° turntable rotation.
- Proportional and simultaneous controls for higher speed and accuracy.
- 180° hydraulic platform rotation.
- Robust, reliable and easy to maintain design.

## STANDARD FEATURES

- Sectional load (450 kg or 230 kg)
- 5° tilt alarm
- Extending axles
- Oscillating axles
- Sound and light signal for tilt and weighing
- Rotating engine tray for easier maintenance
- 4 wheel drive
- Proportional controls
- Cover opening upwards
- Tray with tools for the operator
- Visual indicator system on the upper control platform: visual fault indicator: tilt, fuel indicator and visual indicator for the pedals.
- Towing hawks

## OPTIONS & ACCESSORIES

- Power line to cage
- Platform : 2ft 11in x 6ft (0,91 m x 1,83 m)
- Lighting kit (consisting of work lighting on the platform as well as headlights and rear lights for driving the vehicle).
- Alarm kit (includes rotating light and acoustic displacement signal)
- Compressed air hose Ø 13
- Generator 2500W
- Catalytic exhaust
- Refrigeration kit (includes heater plugs, a heating resistance for the battery and for the oil tank).



## SPECIFICATIONS

H 43 TPX		
Working height	43,00 m	141 ft
Platform height	41,00 m	134 ft 6 in
Maximum outreach	20,00 m	65 ft 7 in
Platform capacity	230 kg ou 450 kg	507 lb or 992 lb
Vertical jib displacement	140° (-70° / +70°)	
Horizontal jib displacement	120° (-60° / +60°)	
Jib length	2,20 m	7 ft 2 in
A Length	15,00 m	49 ft 2 in
B Width	2,53 m	8 ft 3 in
C Stowed height	3,05 m	10 ft
D Wheelbase	3,50 m	11 ft 5 in
E Ground clearance	38 cm	15 in
F x G Platform size	2,4 m x 0,8 m	7 ft 10 in x 2 ft 7 in
Travel/transport length	12,30 m	40 ft 4 in
Width (with extended axles)	3,33 m	10 ft 11 in
Travel/transport height	3,05 m	10 ft
Tailswing	1,45 m	4 ft 9 in
Drive speed	5 km/h	3.1 mph
Outside turning radius	5,10 m	16 ft 8 in
Turntable rotation	360° continuous	
Hydraulic platform rotation	180° (-90° / +90°)	
Jib rotation	160°	
Engine	Perkins Diesel - 64 kW - 87 CV	
Gradeability	40%	
Tyres (foam filled)	yes	
Hydraulic tank	240 l	63 gal
Fuel tank	140 l	37 gal
Weight	20400 kg	44.975 lb



**Haulotte** GROUP

HAULOTTE UK LTD • Stafford Park 6 - Telford - Shropshire TF3 3AT - UK • Tel : +44 (0)1952 292753 • Fax : +44 (0)1952 292758 • e-mail: haulotte@haulotte.co.uk  
 HAULOTTE SCANDINAVIA AB • Aröds Industriväg 66B - 44243 Hisingsbacka - SWEDEN • Tel : +46 (0) 31 744 32 90 • Fax : +46 (0) 31 744 32 99 • e-mail: hwallin@haulotte.se  
 HAULOTTE AUSTRALIA PTY LTD • 65 Licola Cres - Dandenong - VIC - 3175 - AUSTRALIA • Tel : +61 (0)3 9706 6787 • Fax : +61 (0)3 9706 6797 • e-mail: sales@haulotte.com.au