

VOLVO DOUBLE DRUM COMPACTORS

**DD25**

2,45-2,6 t 25 kW



# ALL ROUND VISIBILITY FOR THE PERFECT FINISH.



## 360° visibility

The DD25 provides all round visibility thanks to the prime operator seat position and efficient engine hood design. Whether rolling forwards or in reverse, the operator has a clear view of the drum edges and surroundings for precise compaction and improved job site safety.

Volvo has over 40 years experience in asphalt compaction. That's why you can rely on the DD25 small double drum compactor to deliver smooth, precise performance every time. With 360° visibility, machined drums and selectable frequencies, you can adapt to smaller compaction projects to raise your profitability, without compromising on quality.



**Two selectable frequencies**

The operator can easily change frequency from 55 Hz to 67 Hz to match performance with production requirements.



**Intermittent water spray**

Adjust the water spray to both drums and save time and water. The operator can precisely adjust the time between water sprays to the drums. This not only prevents asphalt from sticking to the drum but saves water and reduces downtime spent refilling the water supply.



**Machined drums for a smooth finish**

Achieve the smoothest rolling finish with the DD25 drums. The drums are specially machined so they are perfectly round and each drum edge is chamfered to prevent pavement marking.



**Pressurized water system eliminates asphalt pick-up**

Front and rear drums are covered by a rust-proof pressurized water system that provides consistent flow to the drum surfaces. Fine filters behind each of the 8 spray nozzles minimizes clogging and ensures proper fan spray coverage to the drum surfaces.

# ROLLING IN FEATURES.

## Engine

Tier 4 Interim/Stage IIIA engine meets emission standards for better fuel efficiency and reliability.

## Water level indicator

The operator can easily monitor the water tank level from the seat.



## Intermittent water spray

Operators can precisely adjust the time between water sprays to the drums. Water is saved and downtime spent refilling is reduced.

## Urethane drum wipers

Front and rear drums feature wipers made of urethane for longer effective wiping and reduced maintenance.

## Automatic vibration system

Automatic vibration system eliminates risk of mistake from the operator by automatically disengaging and engaging vibration, preventing mat damage.



## Machined drums for a smooth finish

Machined drums with chamfered edges are perfectly round to produce the perfect mark-free mat.





#### **360° visibility**

The DD25 provides all round visibility thanks to the prime operator seat position and efficient engine hood design.



#### **Two selectable frequencies**

The operator can easily change frequency from 55Hz to 67Hz to match performance with production requirements.

#### **Quick removal of nozzles**

Water nozzles can be removed very quickly without the need for tools increasing uptime and water system performance.

#### **Maintenance-free bearings**

Maintenance-free eccentric bearings are lubricated with lithium grease to tolerate higher temperatures and rotating speed.



#### **Pressurized water system eliminates asphalt pick-up**

Rust-proof, pressurized water system provides consistent flow to the drum surfaces. Eliminates asphalt pick-up and prevents surface damage.

# MAINTAIN YOUR PRODUCTIVITY.

Volvo machines are built to last. That's why all service points on the DD25 are easy to access for fast maintenance and reduced downtime. The lightweight engine hood opens effortlessly for daily inspection. Combined with Volvo's excellent service support, your DD25 will keep you rolling longer.



## Easy-access engine compartment

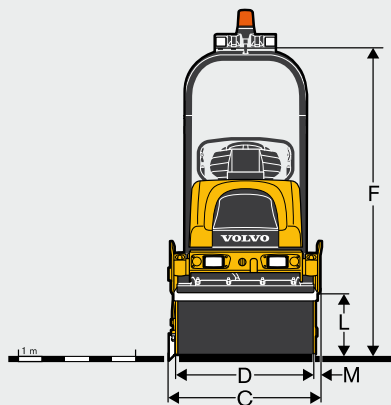
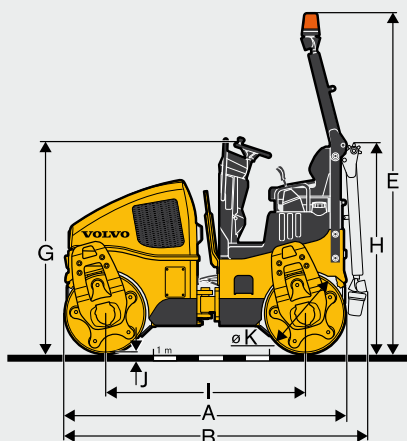
The engine hood can be easily opened for daily maintenance and inspection. The hinged engine hood design is lightweight and tilts forward with the aid of two gas struts giving wide access to the engine and hydraulic components.

## Dealer support comes standard

Your local Volvo dealer backs you and your operation with a ready supply of genuine Volvo parts that are perfectly matched to your machine. Your dealer is also ready to help you stay working with expert, trained service and support.

# SPECIFICATIONS.

Model		DD25 Standard Drum	DD25 Wide Drum
<b>Machine weights (w/ ROPS)</b>			
Operating weight	kg	2 450	2 600
Weight @ front drum	kg	1 225	1 300
Weight @ rear drum	kg	1 225	1 300
Shipping weight	kg	2 300	2 450
<b>Drum</b>			
Width	mm	1 000	1 200
Diameter	mm	700	
Shell thickness	mm	13	
Finish		Machined	
<b>Vibration</b>			
Frequency	Hz	55 / 67	55 / 67
Nominal amplitude	mm	0,53	0,53
Centrifugal force	high	kN	37
	low	kN	25
<b>Propulsion</b>			
Type		Closed-loop hydrostatic	
Drum drive		Radial piston	
Travel speed	km/h	0 – 10	
<b>Engine</b>			
Make / model		Kubota D1803-M	
Engine type		3-cylinder diesel	
Rated power @ installed speed	kW	24,8	
Electrical		12 volts, 70 A alternator	
<b>Brakes</b>			
Service		Hydrostatic	
Parking secondary		Spring-applied, hydraulic release on each drum	
<b>Water system</b>			
Type		Pressurized	
Nozzles		4 per drum	
Filtration		Inlet and nozzle filtration	
Drum wipers		Spring-loaded, self-adjusting urethane wipers	
Water tank capacity	l	260	
<b>Miscellaneous</b>			
Articulation angle		+ / - 30°	
Oscillation angle		+ / - 10°	
Inside turning radius (to drum edge)	mm	2 800	2 700
Fuel tank capacity	l	40	
Hydraulic oil capacity	l	27	
Gradeability (theoretical)		30%	



DIMENSIONS	DD25 Standard Drum	DD25 Wide Drum
	mm	mm
A	2 420	2 420
B	2 540	2 540
C	1 090	1 290
D	1 000	1 200
E	2 955	2 955
F	2 650	2 650
G	1 870	1 870
H	2 020	2 020
I	1 720	1 720
J	13	13
K	700	700
L	490	490
M	45	45

# VOLVO CONSTRUCTION EQUIPMENT

Volvo Construction Equipment is different. Our machines are designed, built and supported in a different way. That difference comes from an engineering heritage of over 180 years. A heritage of thinking first about the people who actually use the machines. About how to help them be safer, more comfortable, more productive. About the environment we all share. The result of that thinking is a growing range of machines and a global support network dedicated to helping you do more. People around the world are proud to use Volvo.

Not all products are available in all markets. Under our policy of continuous improvement, we reserve the right to change specifications and design without prior notice. The illustrations do not necessarily show the standard version of the machine.

# **VOLVO**

**Volvo Construction Equipment**  
[www.volvoce.com](http://www.volvoce.com)

Ref. No 20029466-B  
2012.11  
Volvo, Global Marketing

English-21  
COA