

# Scorpion 2313

ON MERCEDES SPRINTER

---



**PM Oil&Steel SpA**

IT - 41018 S. Cesario Sul Panaro MO

Via G. Verdi, 22

tel. +39 059 936811 • fax +39 059 936804

info@oilsteel.it • www.oilsteel.com

*Oil&Steel is a brand of Manitex International*

**OIL & STEEL**  
AERIAL PLATFORMS

## AERIAL PLATFORM STANDARD EQUIPMENT

- Power takeoff with electrical start-up and automatic release
- Power takeoff ON with no handbrake warning siren
- Power takeoff hour counter fitted on the dashboard of the vehicle
- Warning lights on the hour counter inside the cabin showing PTO ON and when outriggers are outside the vehicle profile
- Automatic start-up and shutdown of the main engine [and potential auxiliary engine] from the basket and from the column
- Engine emergency stop button from the basket and from the column
- Single-phase, 220 or 110 V AC power socket and differential overload switch fitted on the basket
- Truck cabin anti-collision device
- Moment detection and limiting system
- Aerial part controls: electrohydraulic
- Outriggers controls: hydraulic
- Manual extension of front crossbeams
- Possibility to work with front crossbeams both fully open, fully closed, 1 side opened - 1 side closed
- Hand pump for emergency descent
- Two-person aluminum basket 1400x700x1100 mm
- Hydraulic rotation of the basket 90° right - 90° left
- Protective casing on the control box on the column and on the basket
- Thermal protection on the electrical system
- Lock valves on all cylinders
- Hydraulic circuit maximum pressure valves
- Anti-slip aluminum decking
- Standard painting white RAL 9016

## TRUCK STANDARD FEATURES

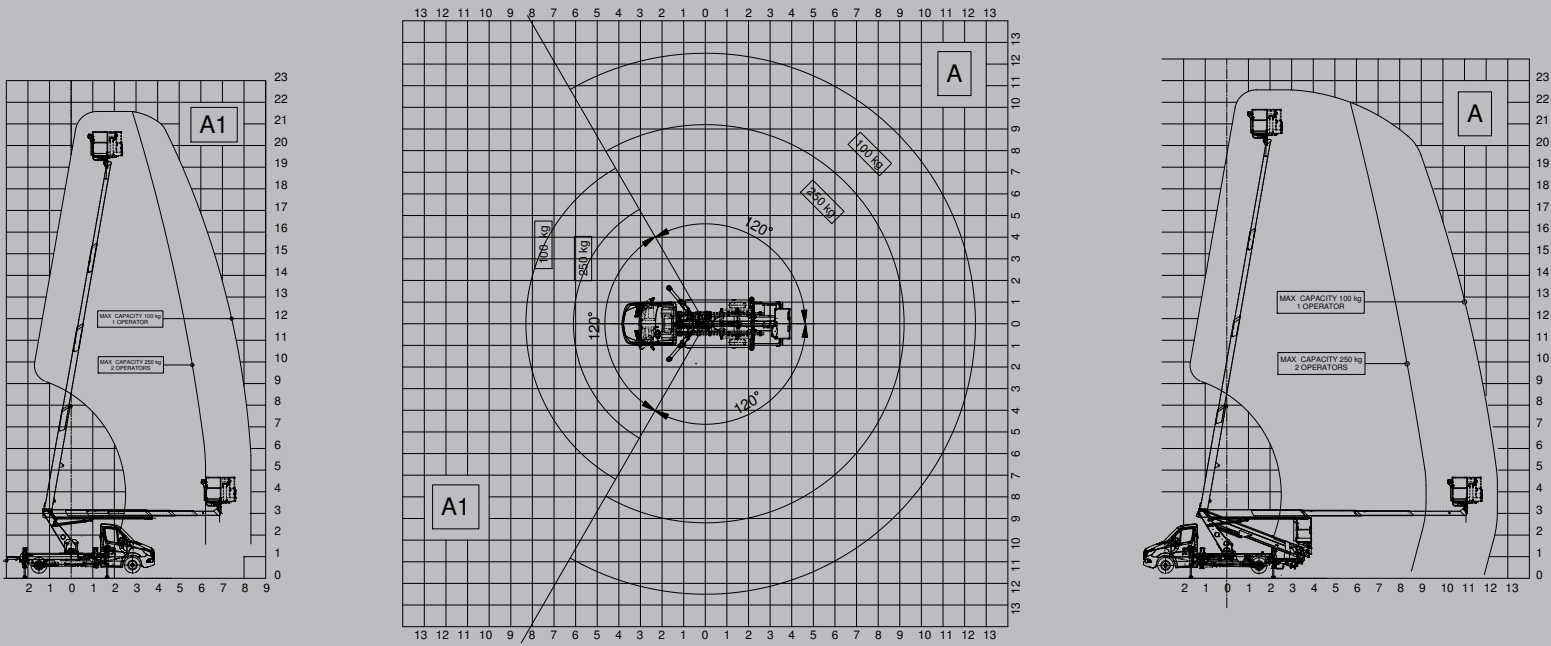
### MERCEDES SPRINTER 311 CDET 37/35 wheelbase 4325mm

- Multifunctional steering wheel
- Digital radio (DAB)
- MBUX multimedia system with 7-inch touch screen
- TSG 360 six-speed manual transmission
- Power windows
- OM651 DE22 LA 120kW 3800/rpm engine
- Central locking with remote control

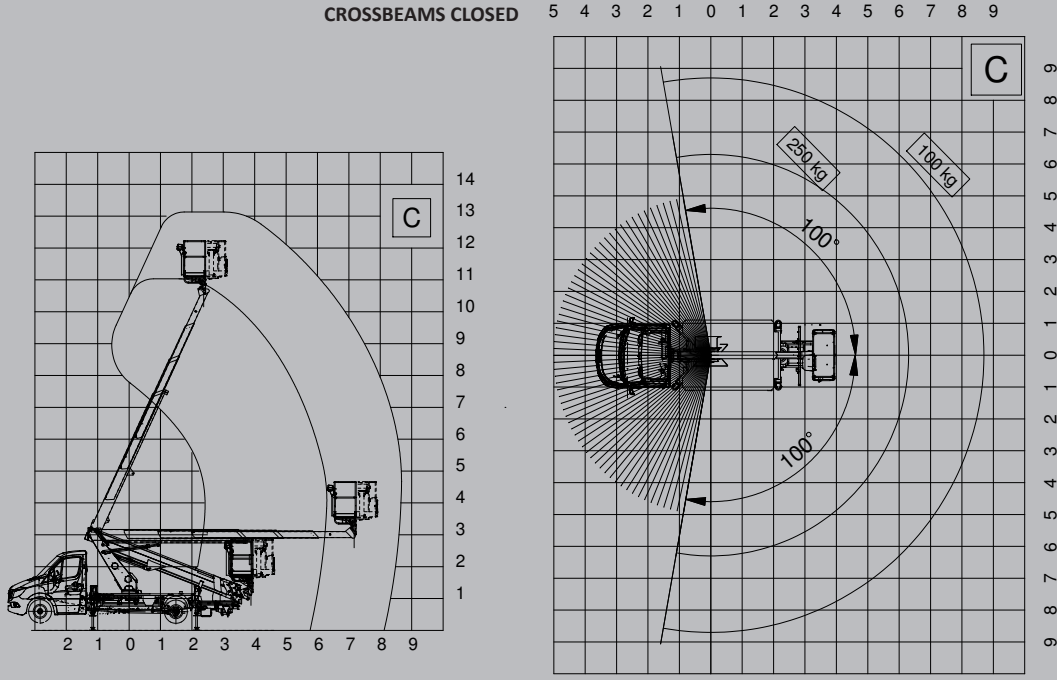
## OPTIONAL

- Boom and platform treated using corrosion-resistant paint, screws in stainless steel
- Air-water line supply to the basket
- Underride guards
- Underride guards with plastic toolbox [only if plastic toolbox is included as optional]
- Aluminum basket with door [instead of standard]
- Fiberglass basket 1400 x 700 x 1100 mm [instead of standard]
- Fiberglass basket 1400 x 700 x 1100 mm + insulation 1 KV [instead of standard]
- Basket rotation with rotary actuator [instead of standard]
- Hydraulic extension of front crosspieces
- Electro-hydraulic extension of front crosspieces and stabilizers [instead of manual extension] - It includes automatic stabilization from the basket
- Automatic stabilization from the ground [in addition to automatic stabilization from the basket]
- Kit 4 nylon outrigger plates [under the platform deck]
- Kit 4 wood outrigger plates [under the platform deck]
- 12V DC socket on the basket
- 12V DC socket + Working light 60W on basket
- Kit 2 harnesses with rope
- Electrical pump 12V DC 1.6 kW for emergency descent
- Auxiliary single-phase 110 V AC or 220 V AC - 2.2 kW electrical pump [electrical control panel and battery charger powered by an external source]
- Working height limiting device
- Plastic toolbox with dimensions 480 x 400 x 400mm under the deck
- Magnetic 12V revolving orange light for truck cabin
- Magnetic 12V revolving blue light for truck cabin
- Two magnetic 12V revolving orange lights for truck cabin + bar
- Two magnetic 12V revolving orange lights for truck cabin + trifflesh bar
- Homing function [automatic shutdown of the aerial part]
- Tilt sensor [standard with electro-hydraulic stabilization]
- Led lights on stabilizers
- Rear central aluminum flatbed
- Rear central and left aluminum flatbed
- Kit junction protection [available with or without rotary actuator]
- Red and white reflective decals on truck
- Fixed aluminum side panels 100mm / 150 mm / 200 mm height
- Drop-down panels on 1 side (right) - 100 mm / 150 mm / 200 mm height
- Drop-down panels on 2 sides - 100 mm / 150 mm / 200 mm height
- Extended warranty 2 years [+1 year in addition to standard warranty conditions]
- Extended warranty 3 years [+2 years in addition to standard warranty conditions]
- Air conditioning system
- Aluminium toolbox with dimensions 1000 x 500 x 500 mm
- Painting of the truck cabin different from standard
- Painting different from standard

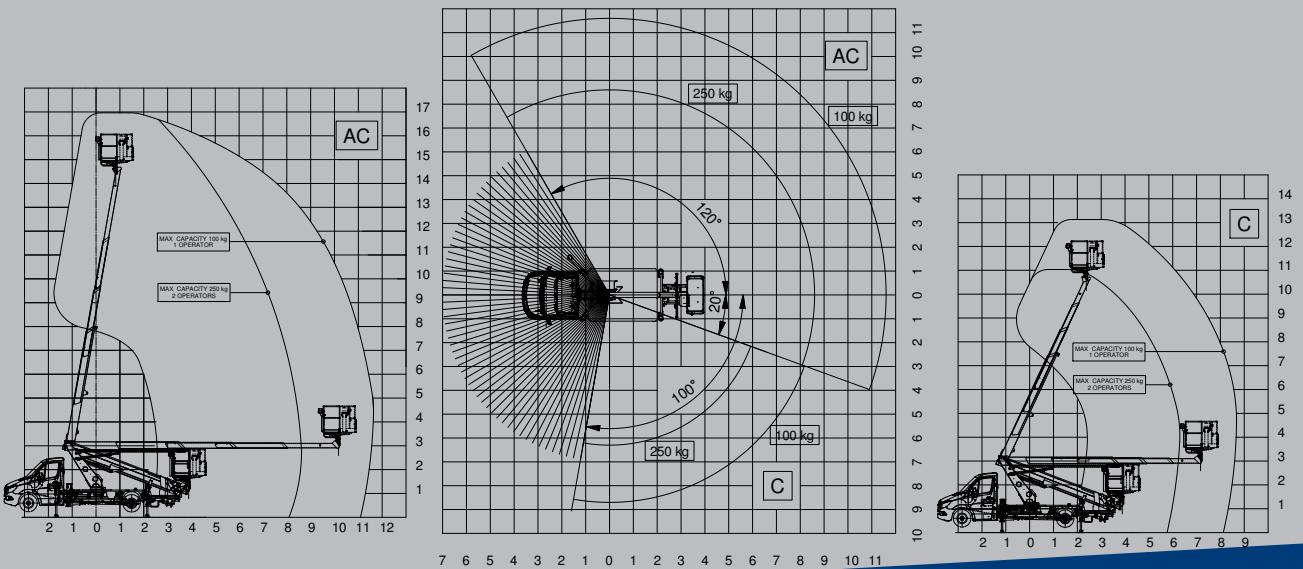
**CROSSBEAMS FULLY OPENED**



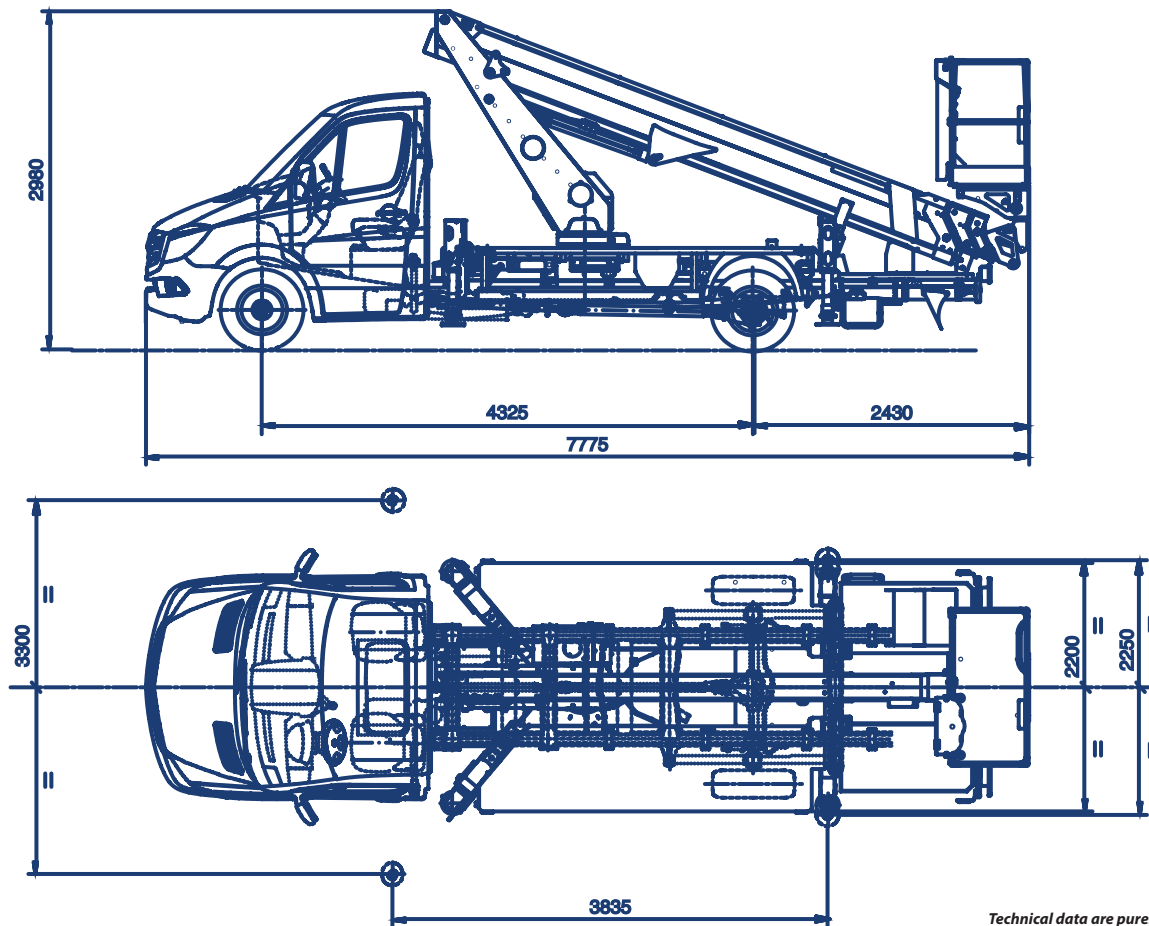
**CROSSBEAMS CLOSED**



**CROSSBEAMS ONE SIDE FULLY OPENED ONE SIDE CLOSED**



# Scorpion 2313



Technical data are purely indicative.

## TECHNICAL FEATURES

Max working height (m)	22,6 m
Max outreach (m)	12,8 m
Max basket capacity	250 kg
Basket dimensions	1400x700xh1100 mm aluminium [Fiberglass as optional]
Controls	Aerial part: electro-hydraulic Outriggers: hydraulic
Turret rotation	400°
Basket rotation	90° left + 90° right
Outriggers	H Type
Machine length	7775 mm
Machine height	2980 mm
Machine width	2250 mm

All technical data, descriptions and illustrations are purely indicative and subject to change at PM Oil&Steel own discretion and without notice.

**PM Oil&Steel SpA**

IT - 41018 S. Cesario Sul Panaro MO

Via G. Verdi, 22

tel. +39 059 936811 • fax +39 059 936804

info@oilsteel.it • www.oilsteel.com

Oil&Steel is a brand of Manitex International

**OIL & STEEL**  
AERIAL PLATFORMS