

Scorpion 1490

ON ISUZU M21 GROUND BLUE H



PM Oil&Steel SpA

IT - 41018 S. Cesario Sul Panaro MO

Via G. Verdi, 22

tel. +39 059 936811 • fax +39 059 936804

info@oilsteel.it • www.oilsteel.com

OIL & STEEL
AERIAL PLATFORMS

Oil&Steel is a brand of Manitex International

AERIAL PLATFORM STANDARD EQUIPMENT

- Power takeoff with electrical start-up and automatic release
- Power takeoff on with no handbrake warning siren
- Power takeoff hour counter fitted on the dashboard of the vehicle
- Warning lights on the hour counter inside the cabin showing pto on and when outriggers are outside the vehicle profile
- Automatic start-up and shutdown of the main engine [and potential auxiliary engine] from the basket and from the column
- Engine emergency stop button from the basket and from the column
- Single-phase, 220 or 110 v ac power socket and differential overload switch fitted on the basket
- Moment detection and limiting system
- Hand pump for emergency descent
- Outriggers and aerial part hydraulic controls
- Two-person aluminum basket with dimensions 1400x700xh1100 mm
- Hydraulic rotation of the basket 90° right - 90° left
- Protective casing on the control box on the column and on the basket
- Thermal protection on the electrical system
- Lock valves on all cylinders
- Hydraulic circuit maximum pressure valves
- Anti-slip aluminum decking
- Standard painting white ral 9016

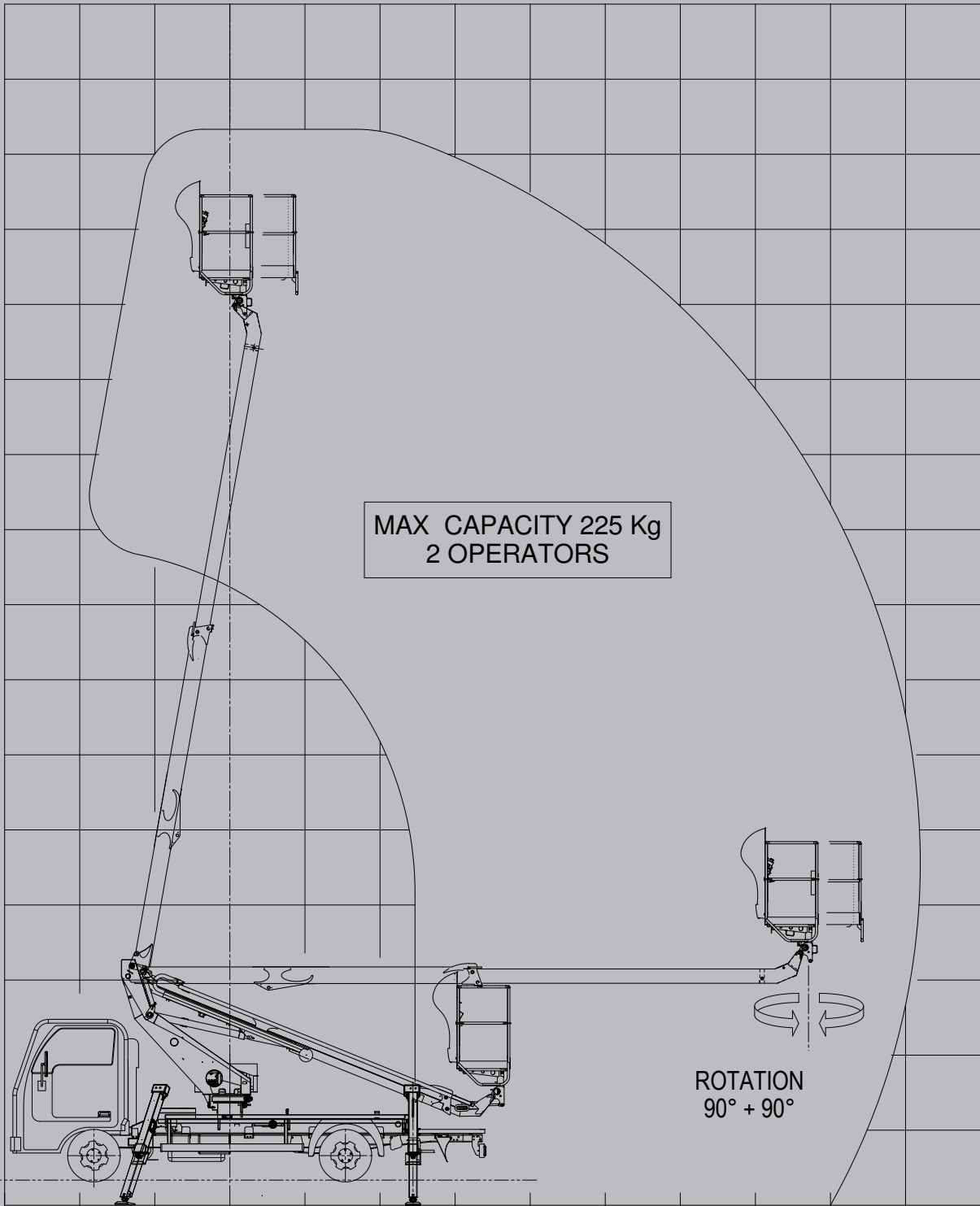
TRUCK STANDARD FEATURES

ISUZU M2I GROUND BLUE H wheelbase 3360 mm 1900 cc engine - 123 HP EGR - DPD - LNT

- Adjustable steering wheel (tilt and height)
- Power windows
- Manual headlamp leveling system
- Reverse warning beeper
- Front and rear fog lamps
- Day-time running lights immobilizer
- Central Locking with remote control
- Sun visor (driver's seat)

OPTIONAL

- Boom and platform treated using corrosion-resistant paint, screws in stainless steel
- Water airline supply to the basket
- Underride guards
- Underride guards with plastic toolbox [only if plastic toolbox is included as optional]
- Fiberglass basket 1400 x 700 x 1100 mm [instead of standard] - Fiberglass basket 1400 x 700 x 1100 mm + insulation 1 KV [instead of standard]
- Kit 4 nylon outrigger plates [under the platform deck]
- Kit 4 wood outrigger plates [under the platform deck]
- 12V DC socket on the basket
- 12V DC socket + Working light 60W on basket
- Kit 2 harnesses with rope
- Electrical pump 12V DC 1.6 kW for emergency descent
- Auxiliary single-phase 110V AC - 2.2 kW electrical pump [electrical control panel and battery charger powered by an external source]
- Auxiliary single-phase 220V AC - 2.2 kW electrical pump [electrical control panel and battery charger powered by an external source]
- Protective casing for hydraulic manifold on the first boom
- Plastic toolbox with dimensions 480 x 400 x 400mm under the deck
- Magnetic 12V revolving orange light for truck cabin
- Magnetic 12V revolving blue light for truck cabin
- Two magnetic 12V revolving orange lights for truck cabin + bar
- Two magnetic 12V revolving orange lights for truck cabin + trifflesh bar
- Red and white reflective decals on truck
- Fixed aluminum side panels 100mm / 150 mm / 200 mm height
- Drop-down panels on 1 side (right) with height 100 mm / 150 mm / 200 mm
- Drop-down panels on 2 sides with height 100 mm / 150 mm / 200 mm
- Extended warranty 2 years [+1 year in addition to standard warranty conditions]
- Extended warranty 3 years [+2 years in addition to standard warranty conditions]
- Air conditioning system
- Truck cabin anti-collision device
- Aluminium toolbox with dimensions 1000 x 500 x 500 mm
- Painting of the truck cabin different from standard
- Painting different from standard

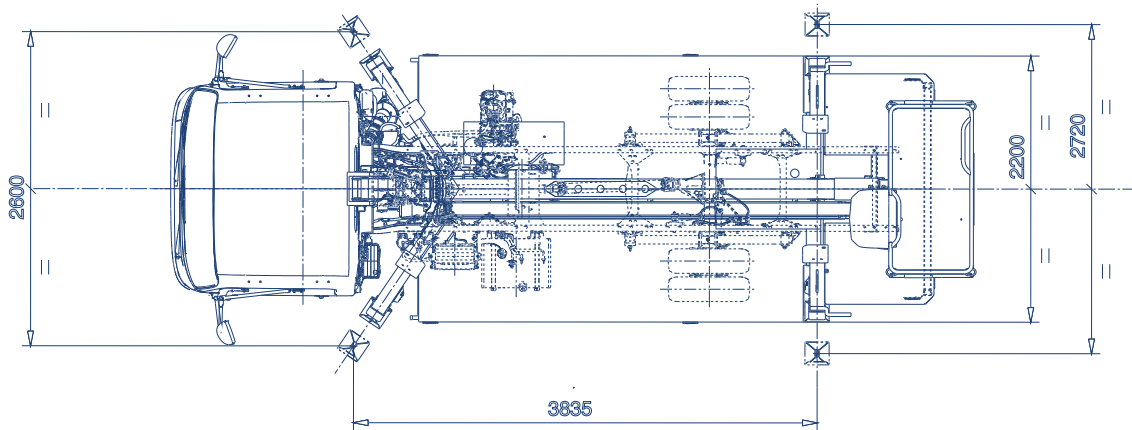
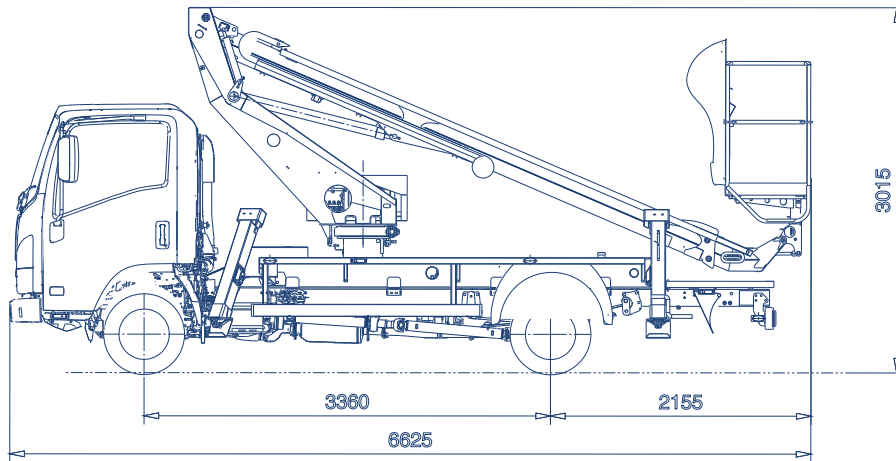


MAX CAPACITY 225 Kg
2 OPERATORS

ROTATION
90° + 90°

ROTATION 400°

Scorpion 1490



Technical data are purely indicative

TECHNICAL FEATURES:

Max working height (m)	14,2 m
Max outreach (m)	9,2 m
Max basket capacity	225 kg
Basket dimensions	1400x700xh1100 mm aluminum [Fiberglass as optional]
Controls	Aerial part: hydraulic Outriggers: hydraulic
Turret rotation	400°
Basket rotation	90° left + 90° right
Outriggers	A Type
Machine length:	6625mm
Machine height:	3015 mm
Machine width	2200 mm

All technical data, descriptions and illustrations are purely indicative and subject to change at PM Oil&Steel own discretion and without notice

PM Oil&Steel SpA

IT - 41018 S. Cesario Sul Panaro MO

Via G. Verdi, 22

tel. +39 059 936811 • fax +39 059 936804

info@oilsteel.it • www.oilsteel.com

Oil&Steel is a brand of Manitex International

OIL & STEEL
AERIAL PLATFORMS