

V E R T I C A L M A S T S



STAR 8 STAR 10



- 9 ft 10 in (3,1 m) outreach.
- Compact: 360°. Rotation with zero tail swing.
- 507 lb (230 kg) platform capacity (STAR 10).
- Proportional electric controls.
- High autonomy.

ISO 9001
GROUP
PINGUELY
HAULOTTE



ARTICULATED BOOMS



VERTICAL MASTS



TELESCOPIC BOOMS



SCISSOR LIFTS



TRAILERS

Haulotte®

ON THE UP

STAR 8 STAR 10

Vertical masts

The Haulotte® advantages

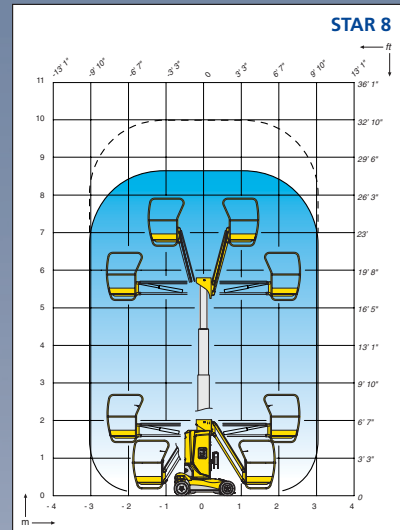
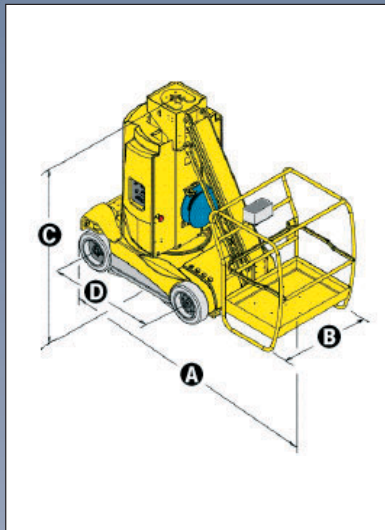
- Full electric drive with the ability to drive at full height
- Proportional controls provide for smooth and progressive movements
- Narrow turning radius for better accessibility
- Increased safety with 3° slope sensor and pot hole protection
- The positive/negative jib offers more flexibility throughout the working envelope
- 2.8 mph (4.5 km/h) travel speed
- 25% gradeability
- Low total weight for easier transport and more applications
- Ergonomic and spacious cage design
- Robust, reliable and easy to maintain

STANDARD FEATURES

- 24 V Electric motor
- 24 V – 240 Ah traction batteries
- 30 Amp battery charger
- Battery charge indicator
- 3° tilt alarm
- 2 drive speed
- 2 wheel drive
- Non marking tyres
- Free wheel device
- Hourmeter
- Horn in cage
- Emergency stop buttons at cage and ground
- 2 Control stations, cage and ground
- Moveable cage control panel

OPTIONS & ACCESSORIES

- Centralised battery filling
- Flashing beacon
- Safety harness anchor points
- Motion alarm
- 220V line to cage
- Airline to cage

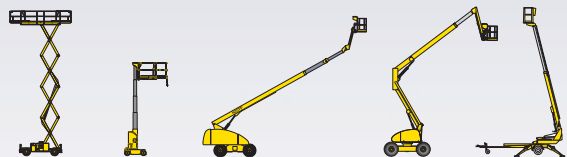


SPECIFICATIONS

	Star 8		Star 10	
Working Height	8.73 m	28 ft 7 in	10 m	32 ft 10 in
Platform Height	6.73 m	22 ft 1 in	8 m	26 ft 3 in
Horizontal outreach	3,1 m	10 ft 2 in	3,1 m	10 ft 2 in
Platform Capacity	200 kg	441 lb	230 kg	507 lb
A Length	2.61 m	8 ft 7 in	2.61 m	8 ft 7 in
B Width	0.99 m	3 ft 3 in	0.99 m	3 ft 3 in
C Stowed Height	1.99 m	6 ft 6 in	1.99 m	6 ft 6 in
D Wheelbase	1.2 m	4 ft	1.2 m	4 ft
Ground Clearance	10 cm	4 in	10 cm	4 in
Platform size	0.97 x 0.67 m		3 ft 2 in x 2 ft 2 in	
Tailswing	0		0	
Drive speed	0,7 / 4.5 km/h		0.43 / 2.8 mph	
Outside turning radius	1.87 m		6 ft 2 in	
Turntable rotation	360°		360°	
Traction batteries	24 V / 240 Ah		12 V / 240 Ah	
Gradeability	25%		25 %	
Tilt alarm	3°		3°	
Non marking tyres	10 x 16 x 10.5		10 x 16 x 10.5	
Weight	2.480 kg	5,467 lb	2.540 kg	5,600 lb



┌ D I S T R I B U T E D B Y ┐



Haulotte®

HAULOTTE UK LTD • Stafford Park 6 - Telford - Shropshire TF3 3AT - UK • Tel : +44 (0)1952 292753 • Fax : +44 (0)1952 292758 • e-mail: haulotte@haulotte.co.uk
 HAULOTTE SCANDINAVIA AB • Aröds Industriväg 66B - 44243 Hisingsbacka - SWEDEN • Tel : +46 (0) 31 744 32 90 • Fax : +46 (0) 31 744 32 99 • e-mail: hwallin@haulotte.se
 HAULOTTE AUSTRALIA PTY LTD • 39 Nicholas Drive - Dandenong - VIC - 3175 - AUSTRALIA • Tel : +61 (0)3 9706 6787 • Fax : +61 (0)3 9706 6797 • e-mail: sales@haulotte.com.au
 PINGUELY-HAULOTTE GROUP • La Péronnière - B.P. 9 - 42152 L'Horme - FRANCE • Tél : +33 (0) 4 77 29 24 24 • Fax : +33 (0) 4 77 29 43 95 • e-mail: haulotte@haulotte.com
 Web : <http://www.haulotte.com>