

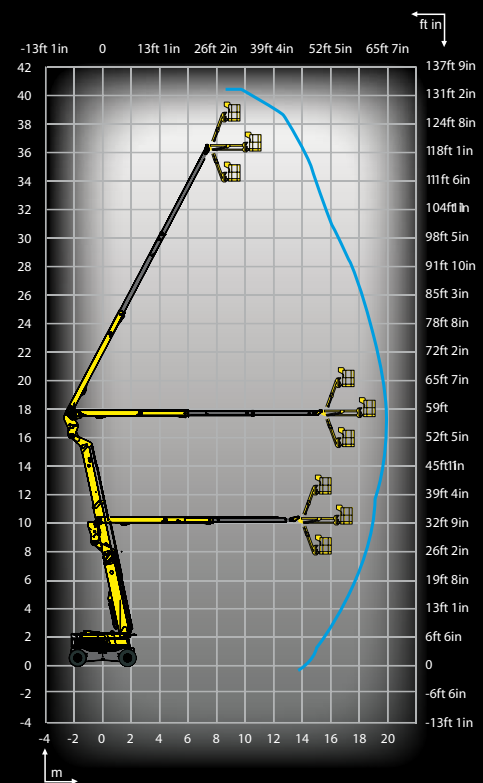


Outstanding rough terrain driving features

- 4 wheel drive & steer
- Oscillating axle
- Differential wheel lock
- Ground clearance of 38 cm / 15 in
- The tightest turning radius in the market

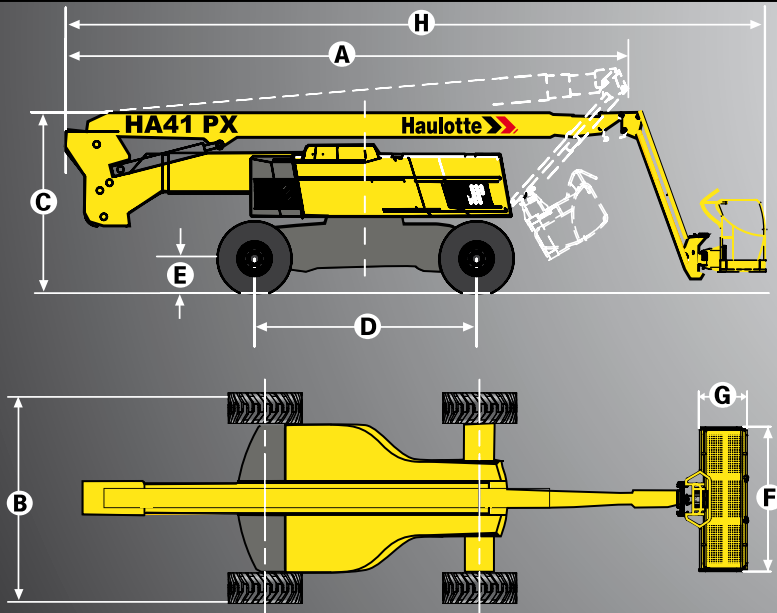
Optimal productivity

- Up to 3 simultaneous and proportional movements
- Max. outreach of 19.8 m / 65 ft
- Continuous outreach control



HA 41 PX

Rough terrain articulating booms



TECHNICAL DATA

HA 41 PX

Working height	41.5 m / 136 ft 2 in
Platform height	39.5 m / 129 ft 7 in
Horizontal outreach	19.8 m / 65 ft 0 in
Up and over clearance	17.75 m / 58 ft 3 in
Lift capacity	230 kg / 507 lb
F x G - Platform size	2.44 x 0.8 m / 8 ft 0 in x 2 ft 7 in
H - Length	12.6 m / 41 ft 4 in
A - Storage length	11 m / 36 ft 1 in
B - Width	2.5 m / 8 ft 2 in
Width - with extended axles	3.33 m / 10 ft 11 in
C - Height - stowed	2.99 m / 9 ft 10 in
Storage height	3.7 m / 12 ft 2 in
Vertical jib rotation	130° (+65/-65)
Platform rotation	180° (+90/-90)
Turntable rotation (continuous)	360°
Tailswing	3.88 m / 12 ft 9 in
D - Wheelbase	3.5 m / 11 ft 6 in
E - Ground clearance	38 cm / 15 in
Tilt	4°
Drive speed	0,3 - 5 km/h / 0.2 - 3.1 mph
Gradeability	40%
Turning radius - outside	5.1 m / 16 ft 9 in
Tyres - foam-filled	445/65-22.5
Engine	62 kW - 84.2 hp
Weight	23100 kg / 50,936 lb

STANDARD EQUIPMENT

- Simultaneous and proportional movements to maximize productivity
- 4 wheel drive & steer
- 2 extendable axles
- Hydrostatic transmission
- Ergonomic control panel
- Maintenance made easy: swing out engine tray
- Gull wing style cowlings
- Automatic platform levelling
- Safe to use in winds up to 45km/h / 28mph
- Tilt controller
- Load Managing System in the platform
- Auxiliary power in the platform for emergency descent
- Towing hooks
- Horn
- Hourmeter

OPTIONS & ACCESSORIES

- Rotating beacon
- Travel alarm
- Working light
- Electric socket in the platform
- On-board generator
- Biodegradable hydraulic oil



Haulotte 
GROUP